
FOURSLIM INSTALLATION INSTRUCTIONS

SAVE THESE INSTRUCTIONS WARNING!

IMPORTANT SAFETY INSTRUCTIONS:

When using electrical appliances, basic precautions should always be followed to reduce the risk of fire, electric shock and injury to persons, including:

READ AND FOLLOW ALL INSTRUCTIONS

WARNING - This unit is not intended for installation in a shower or near a water spray.

IMPORTANT - All electrical connections must be carried out by a licensed electrician in accordance with LOCAL ELECTRICAL CODES OR NATIONAL CODES.

Use this towel warmer only as described in this manual. The manufacturer declines responsibility for any damages, fire, shock or injury to persons resulting from any other not recommended use.

To ensure the towel warmer is mounted securely, fasteners should be secured in studs, or alternatively, in structural members that are placed behind the rails.

Extreme caution is necessary when any heater is used by or near children or invalids and whenever heaters are left operating and unattended.

Do not operate any heater with a damaged cord or after the heater malfunctions, or has been damaged in any manner. Return the towel warmer to an authorized service facility for examination, electrical or mechanical adjustment, or repair.

It is the responsibility of the installer to inspect for any damage when the box is opened. Shipping damage should be reported immediately to your reseller or the factory.

Regulations require that only authorized persons carry out electrical work. For your own safety and that of others, ensure this is done.

Use this appliance only on the voltage specified on the rating plate, or elsewhere in the instructions.

[heating products factory]

FOURSTEEL® - PRODUTOS EM INOX, LDA , AVEIRO , PORTUGAL
© Foursteel, Aveiro, 2020, all rights reserved

Be assured that the system is installed with a differential switch with electric current $\leq 30\text{mA}$.

Do not stand, hang or sit on the towel warmer.

The towel warmer is for inside use only.

Please allow a minimum of 30 minutes for the towel warmer to heat up.

The towel warmer basic operation is to warm towels. It is not designed as a primary heat source.

The temperature of the units may vary during usage (electric heating element with built-in thermostatic sensor).

The towel warmer will be hot. Please ensure children and the elderly are supervised at all times in the towel warmer vicinity.

SAVE THESE INSTRUCTIONS.

[heating products factory]

FOURSTEEL® - PRODUTOS EM INOX, LDA , AVEIRO , PORTUGAL
© Foursteel, Aveiro, 2020, all rights reserved

FOURSLIM ELECTRIC TOWEL WARMER - WALL MOUNTED

USER'S MANUAL

MODEL : FOURSLIM BY ARCH.

ELECTRIC VERSION

WALL MOUNTED

This product was developed to provide a simple, secure and comfortable usage.
These instructions must be taken into account for the correct use of the equipment.

REPAIR OF DAMAGES

In case of an emergency or damage, switch off the device and contact your reseller. Do not attempt to repair the unit yourself, otherwise this will be considered as a breach of the warranty provisions.

GUARANTEE

The warranty for this product is 2 years on presentation of the corresponding invoice.

MAINTENANCE

When cleaning the radiator use a soft damp cloth only. Never use use soap-based detergents, abrasive cleaners or detergents containing ammonia and other acids for cleaning and maintenance.

DISPOSAL OF THE EQUIPMENT

This product must be disposed of pursuant the valid legal provisions and separated from domestic waste. Please dispose of this product by bringing it to your local collection point or recycling centre of such equipment. Recycling contributes to reducing CO² emissions and thus to the protection of the environment.



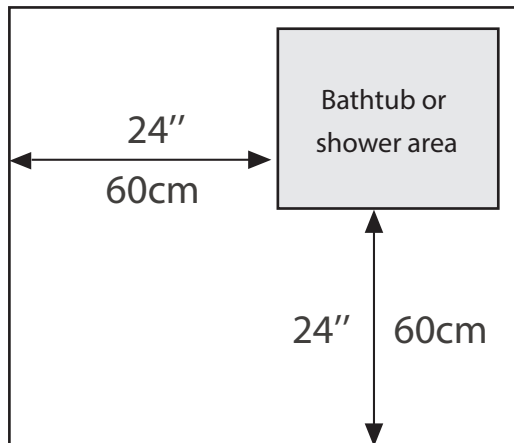
CONTACTS

www.foursteel.eu
geral@foursteel.eu
T. +351 234 111967 | +351 234 107263

Foursteel - Heating Products Factory
C.E.A. Zona Industrial de Mamodeiro
3810 - 783 Aveiro
Portugal

FOURSLIM ELECTRIC TOWEL WARMER - WALL MOUNTED

BEFORE INSTALLATION



Verify if you have the requested product. Make sure the electric element is in the correct side of the wall, right or left, according to the room's electric installation (in case of horizontal installation).

You must pay attention to the correct placement of the towel rail in the wall. Possible position: horizontal and vertical with electrical element on bottom (see fig. 2). The placement of this equipment should respect the minimum safety distance (see fig. 1).

fig 1 : Minimum safety distance.

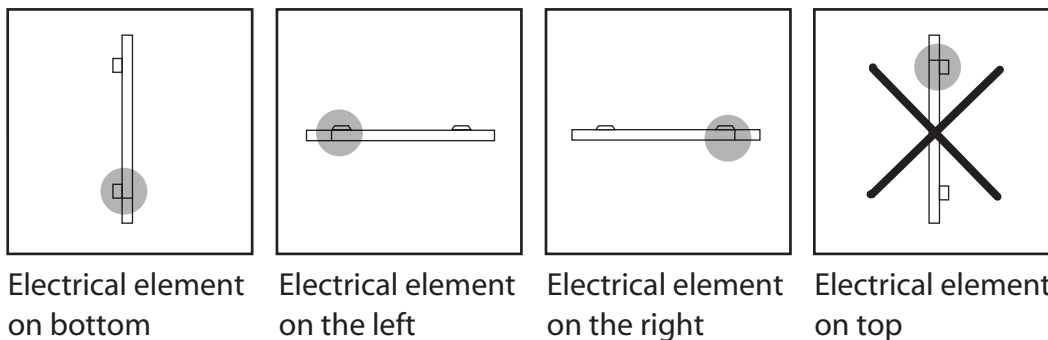


fig 2 : Possible application of the towel warmer. Correct placement position.

HIDDEN ELECTRIC ELEMENT II

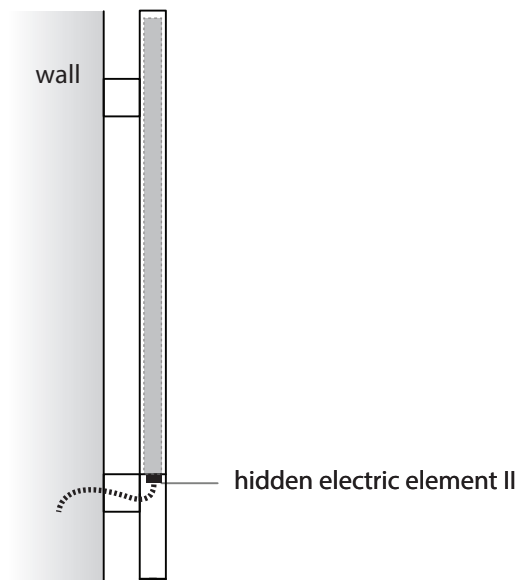
TECHNICAL CHARACTERISTICS

power supply – AC 110V / 120V, 60Hz

UL 499 - Electric Heating Appliances
CSA C22.2 No.64 - Household Cooking
and Liquid Heating Appliances

Material - Stainless Steel AISI 304

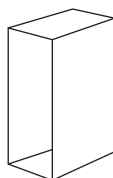
Glycol - Bio RH20



FOURSLIM ELECTRIC TOWEL WARMER - WALL MOUNTED

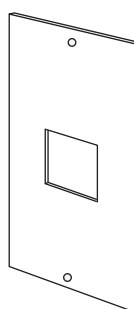
MATERIAL

x2
wall supports
45 x 15 x 20mm



(a)

x1
wall plate



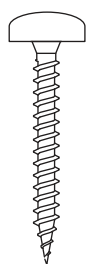
(b)

x2
screws M4



(c)

x4
support screws



(d)

x4
plastic plug
40 x 8mm

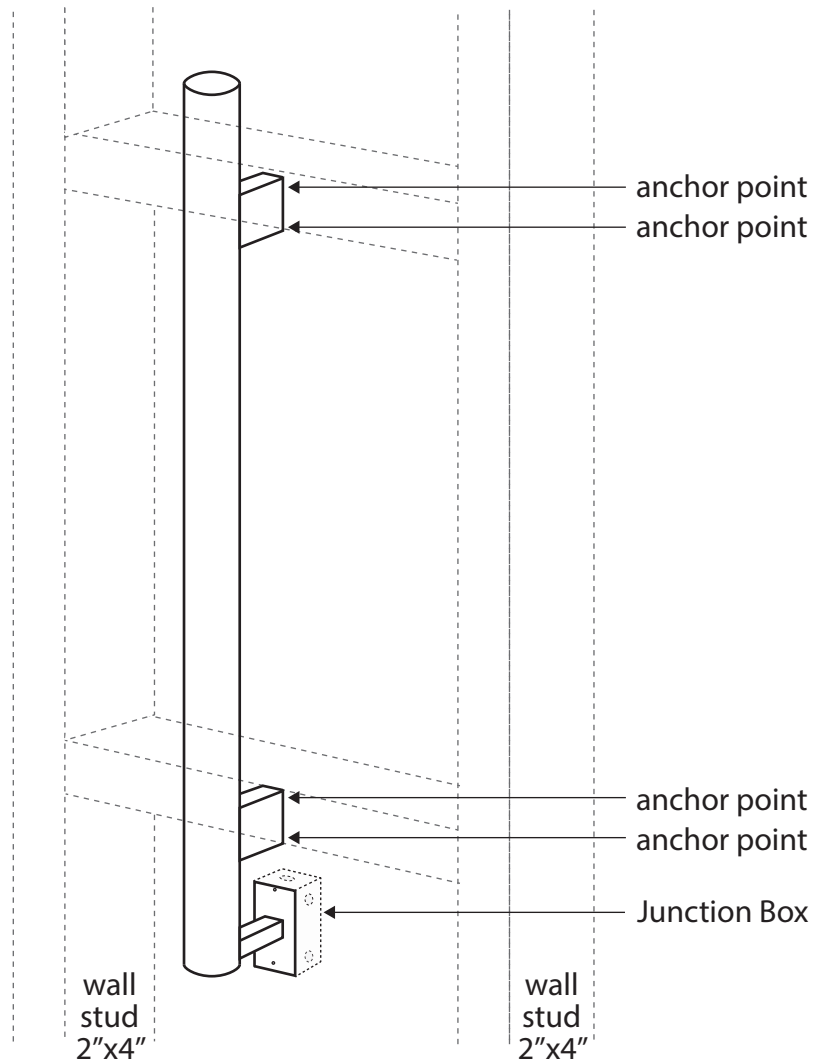


(e)

FOURSLIM ELECTRIC TOWEL WARMER - WALL MOUNTED

INSTALLATION (Installation by a trained certified technician)

1



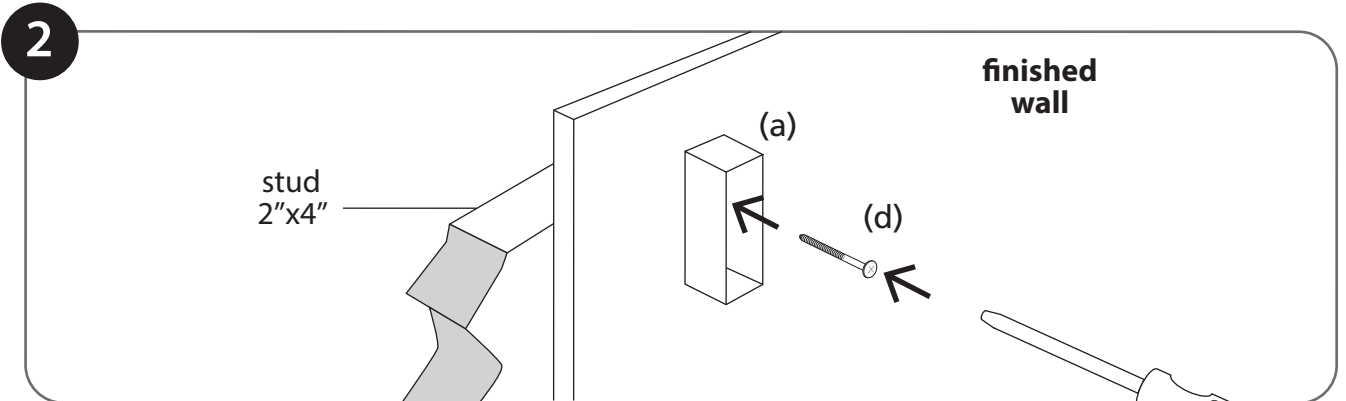
Decide where to install the unit and the location of the junction box.

Ensure that studs and junction box are installed according to the figure 1.

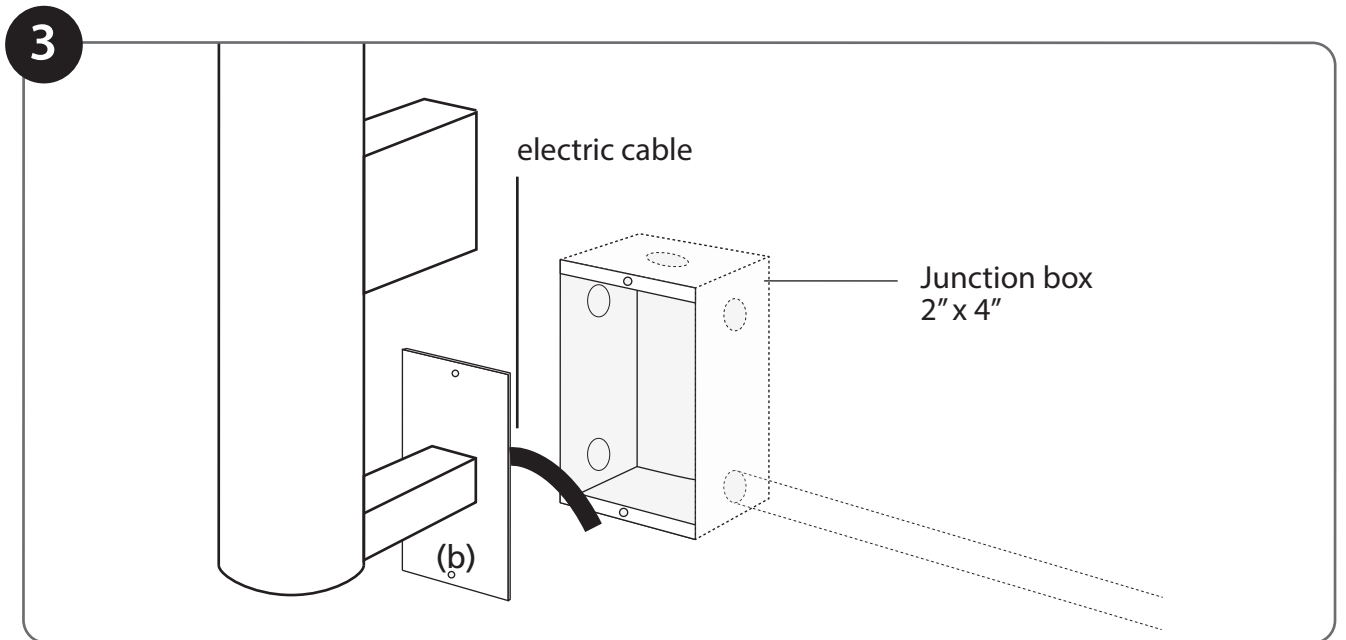
This can be done by either placing the assembled towel warmer against the wall or taking measurements from the towel warmer supports and the wire box positioning.

All supports must be attached to a wall stud.

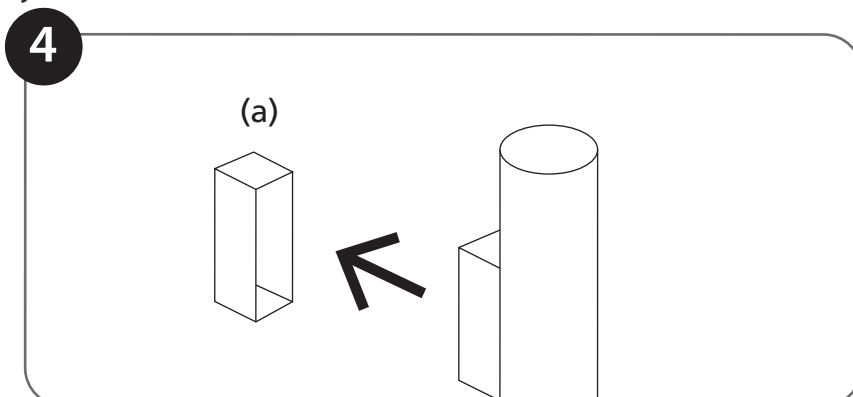
FOURSLIM ELECTRIC TOWEL WARMER - WALL MOUNTED



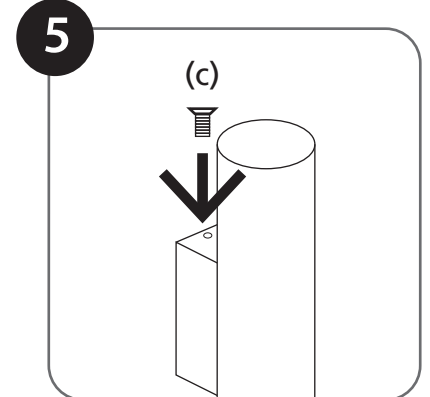
Mark on the finished wall the supports locations and attach them using the supplied screws (d). Note the supports mounting locations are based on the junction box placement.



Verify mounting points are level. Pass the electric cable through the wiring conduit into the wall junction Box.



Place the towel warmer on the wall supports (a).



Screw adjustment (c).

FOURSLIM ELECTRIC TOWEL WARMER - WALL MOUNTED

6

STANDARD WIRE COLOURS FOR FLEXIBLE CABLE

black - Phase



white - Neutral

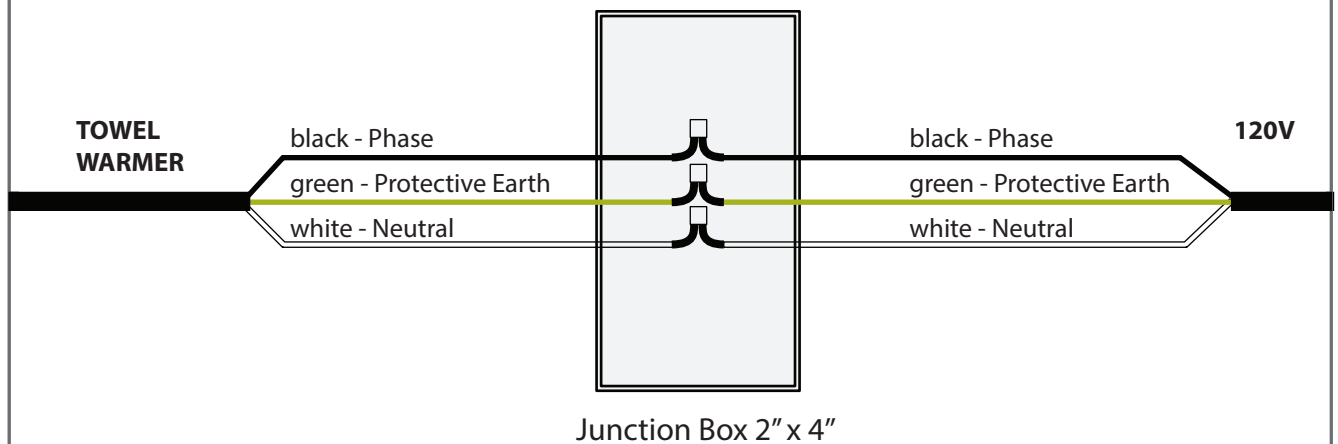


green - Protective Earth



OPERATION

electric connection of the towel warmer:



Make the electric connections of the towel warmer. The connection should be made to a power supply of 120V/60Hz. Make a certified professional wire the towel warmer to the electrical circuit according to the figure.